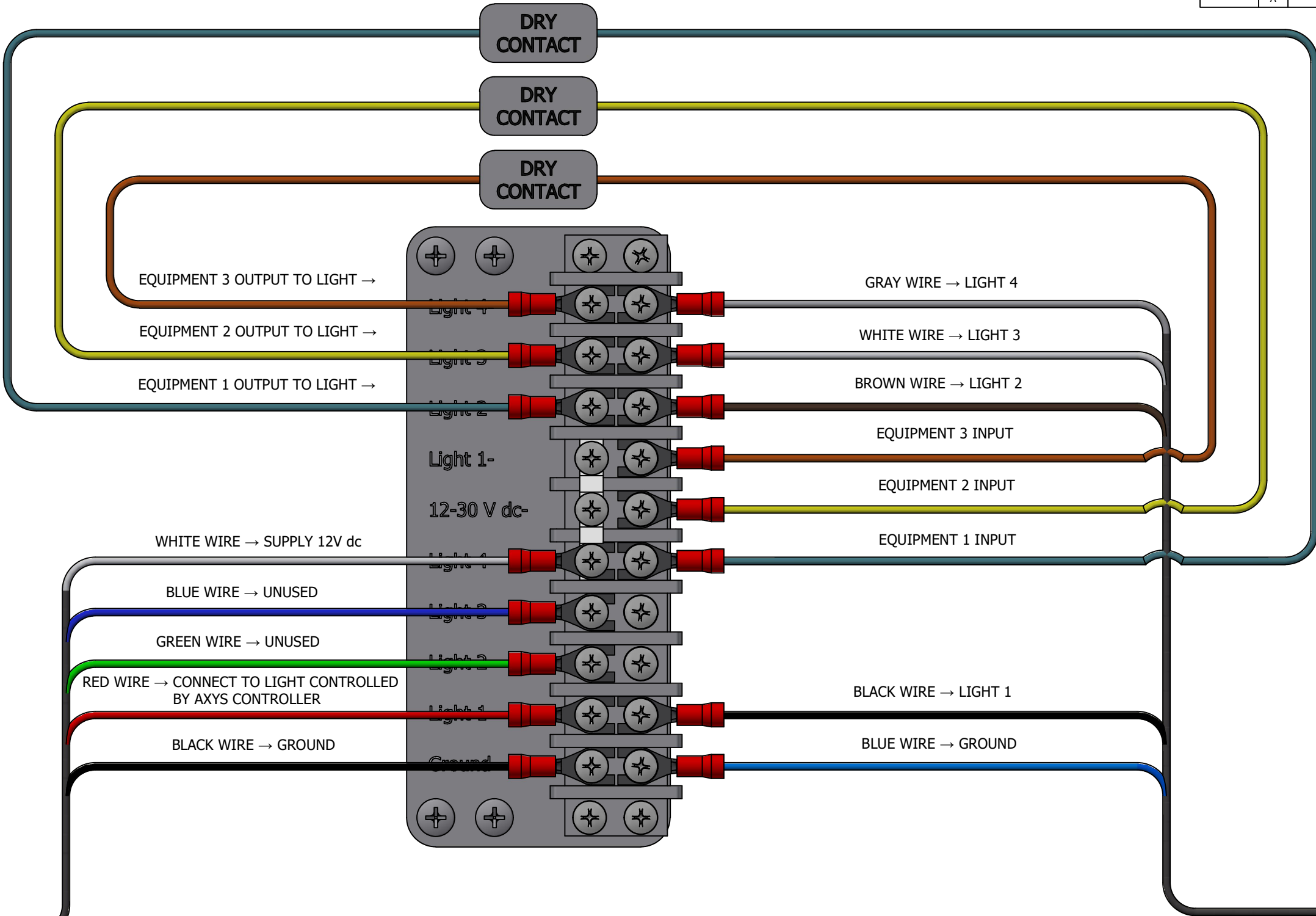


NOTES:  
 1. DRY CONTACT IS A SWITCH ACTIVATING ASSOCIATED LIGHT.

REVISION HISTORY				
ZONE	REV	DESCRIPTION	DATE	APPROVED
	A	INITIAL RELEASE	1/14/2022	MB



D

D

C

C


B

B

A

A

DO NOT SCALE DRAWING		
UNLESS OTHERWISE SPECIFIED: DIMENSIONS ARE IN INCHES. INTERPRET PER ANSI Y14.5M.		
TOLERANCES	ANGULAR:	
X ± .050		
X.X ± .020	X° ± 4.0°	
X.XX ± .010	X.X° ± 1.0°	
X.XXX ± .005		
TOLERANCE FOR FABRICATED AND SHEET METAL IS ±1/16		
REMOVE ALL BURRS AND SHARP EDGES R.005-.015 OR CHAMFER .005-0.15 X 45°		
SEE CAD MODEL FILE FOR COMPLETE SHAPE DETAILS		
DESIGNER	NAME	DATE
DRAWN		
CHECKED		
ENGINEER		
Q.A.		
MATERIAL	N/A	
FINISH	N/A	
CONFIDENTIAL: THIS DESIGN AND LAYOUT IS PROPERTY OF XYBIX SYSTEMS INC. AND IS NOT TO BE USED WITHOUT EXPRESS WRITTEN PERMISSION BY XYBIX SYSTEMS INC. RETURN OF THIS DOCUMENT AND ALL COPIES THEREOF MUST BE MADE TO XYBIX SYSTEM INC. UPON REQUEST		
SIZE	PART NUMBER:	REV
B	Wiring Diagram	A
SCALE 1 : 1		SHEET 1 OF 1



**Status Indicator Light Wiring Diagram Axys for Customer Equipment**