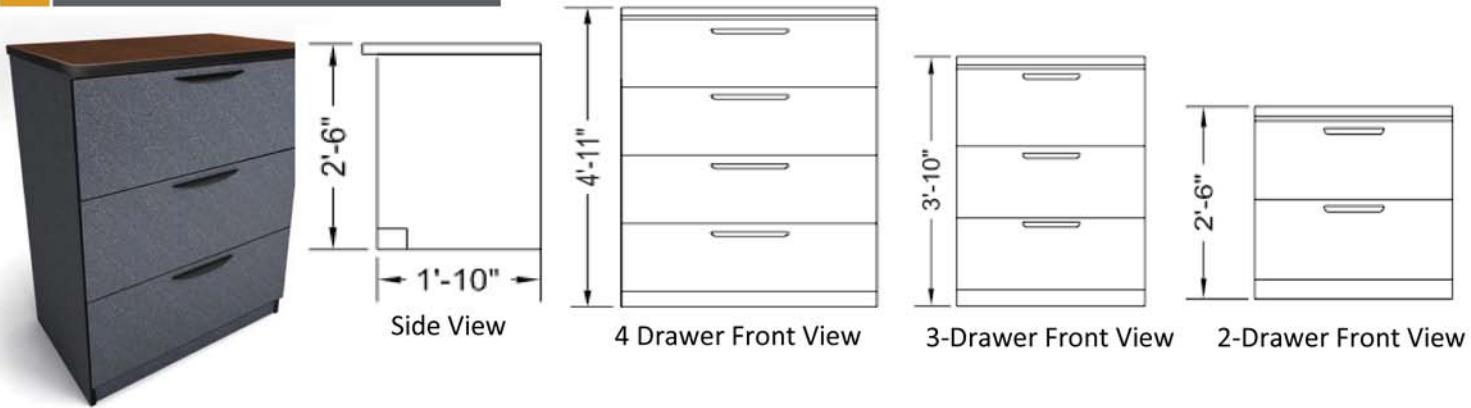


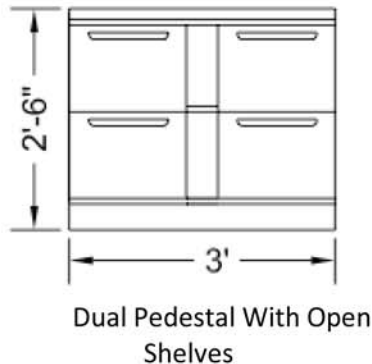
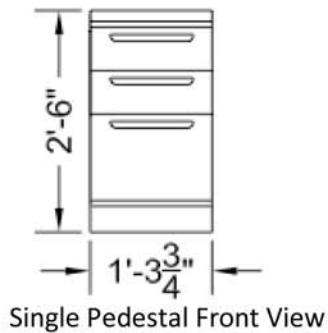
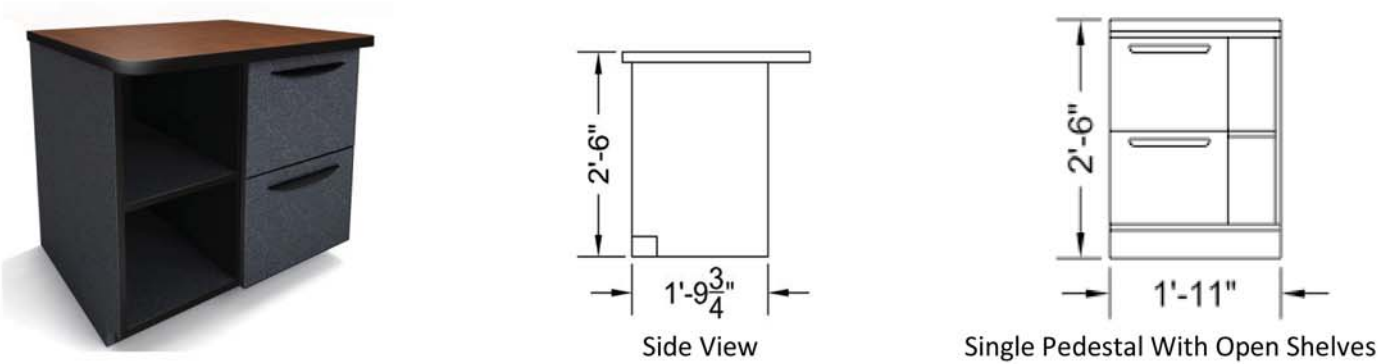
FEATURES

- Xybix provides a broad range of accessories to complete you entire work environment.
- Our solutions include personal storage, custom cabinetry, desktop storage and more.
- A variety of finishes and material selections are available.

LATERAL FILE

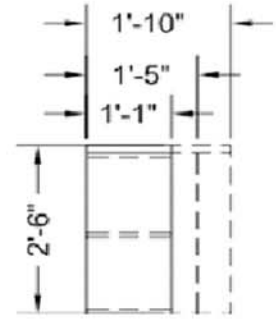


FIXED STORAGE PEDESTALS

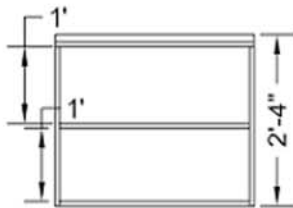


Xybix has a number of internal configurations. Please call your Territory Manager or a Xybix Designer today!

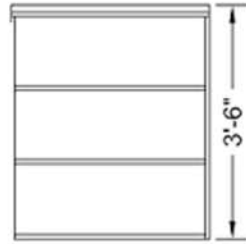
BOOKCASES



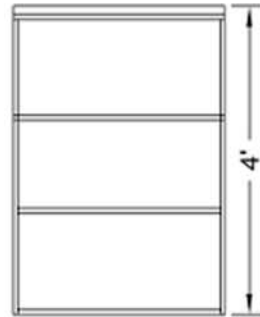
Side View Optional Depths



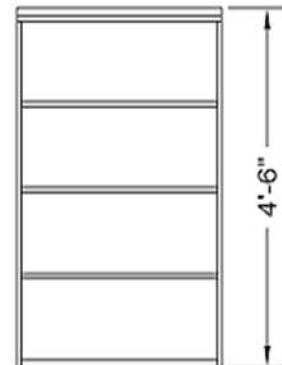
2 Shelf Front View



3 Shelf Front View

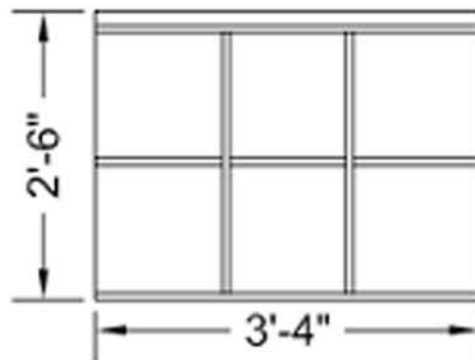


3 Shelf Front View



4 Shelf Front View

ROTATING RESOURCE GUIDE



Rotating Resource Guide
Plan View

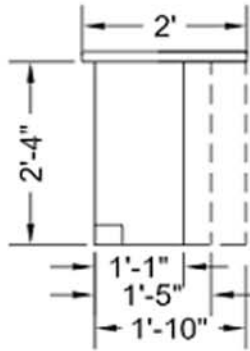


Rotating Resource Guide Plan Views

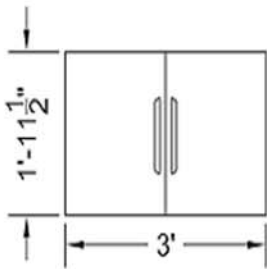
Xybix has a number of internal configurations. Please call your Territory Manager or a Xybix Designer today!

Follow us    YouTube

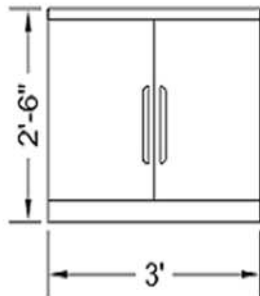
STORAGE CABINETS



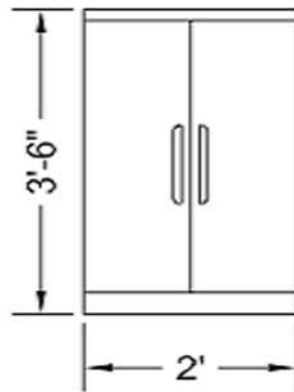
Work Surface Side View



Above Work Surface Front View



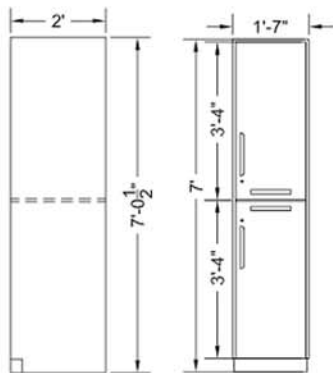
Below Work Surface Front View



Free Standing Front View

LOCKERS

Customizable Options Available

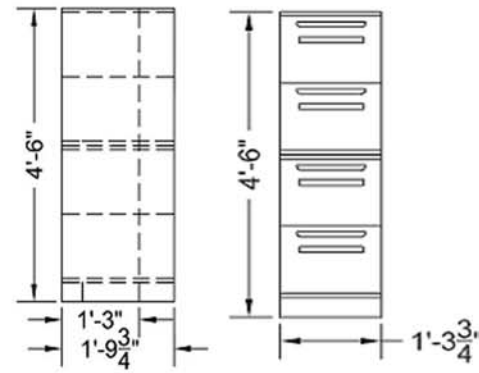


Side View

Front View

PERSONAL CUBBIES

**shown with mail slots*



Side View

Front View



Xybix has a number of internal configurations. Please call your Territory Manager or a Xybix Designer today!

Follow us    

FLIPPER DOOR STORAGE COMPARTMENT



CONFERENCE TABLES

-  Customizable Options Available
-  Xybix offers a wide variety of conference tables that are custom built to meet your space and needs.

Xybix has a number of internal configurations. Please call your Territory Manager or a Xybix Designer today!

Follow us    